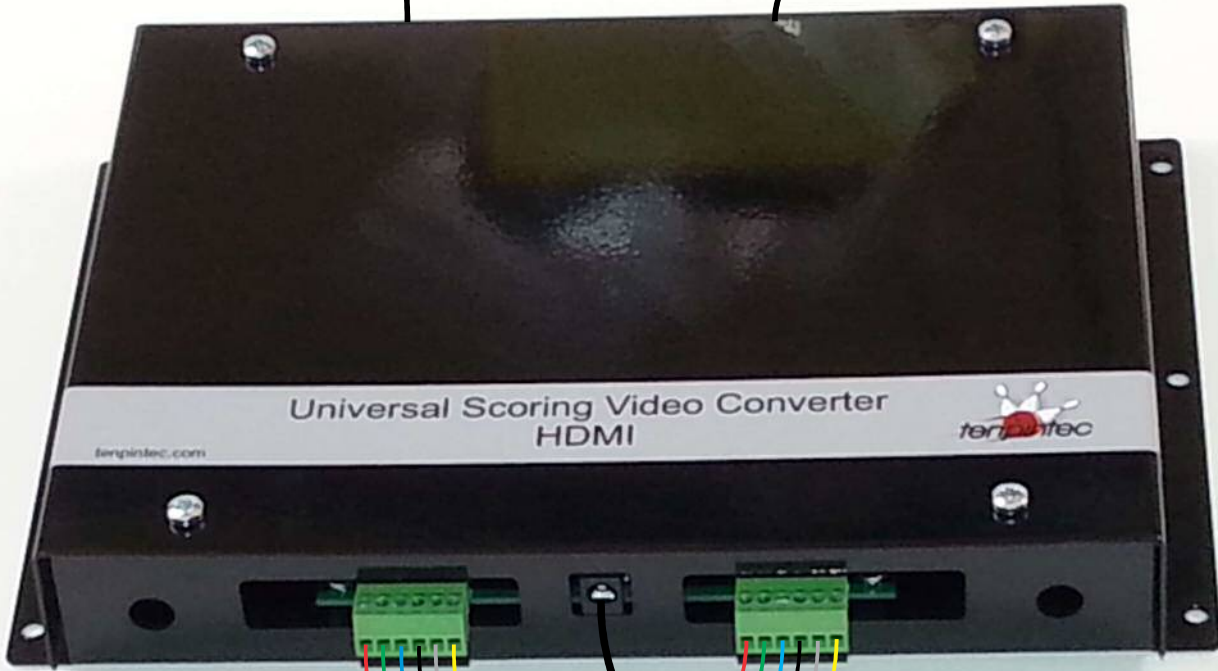


Dual CGA - HDMI Video Converter



HDMI

HDMI



R G B GND H V

R G B GND H V

Suitable for:

- Qubica VDB
- Computerscore ECT
- AMF Accuscore Plus
- Brunswick Frameworkx



Power supply
12VDC 3A

manufactured by

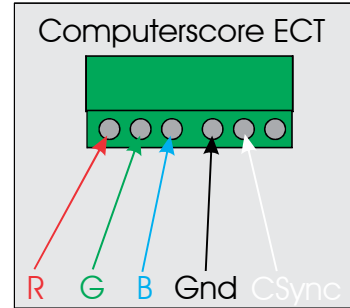
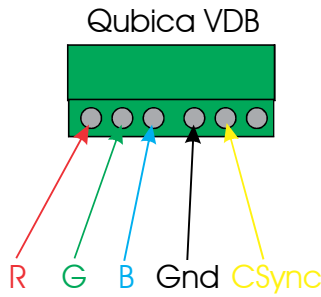
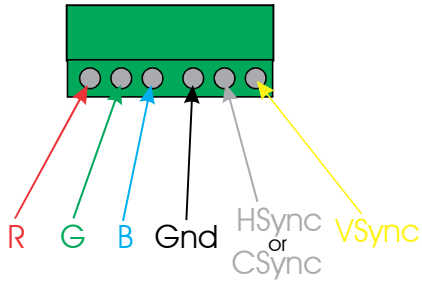


86 Barry Street
Reservoir
Victoria 3073
Australia

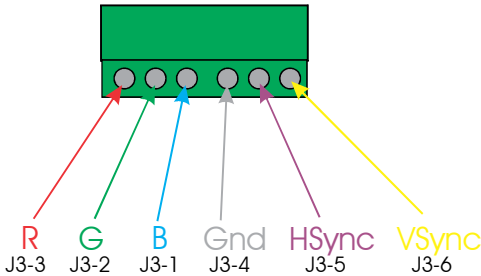
Phone 61 3 9460 2559
Fax 61 3 9460 7071

Dual CGA - HDMI Video Converter

Connections are made to the converter using the terminal blocks provided.



Brunswick Frameworkx*



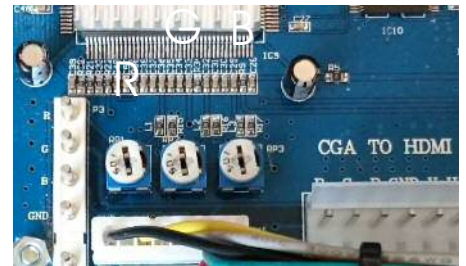
CSync = Combined Sync
HSync = Horizontal Sync
VSync = Vertical Sync

* It may be necessary to retain the Video Receiver PCB assy and the associated transformer and power relay from your old CRT. This may also allow remote 'power on/off' of the new monitors. See **page 4** for further information.

The converter should auto-detect the video signal from your scoring. If there are geometry issues it is better to correct this using the controls on your monitors. Most monitors have a 'best fit' or 'auto-adjust' option. We recommend that you use this as it will ensure that all your monitors are adjusted the same.

The converter boards can be adjusted manually (although this is not recommended), but with some scoring systems it may be necessary. To do this you will need to remove the top cover of the enclosure.

The three potentiometers in the left hand corner of each board allow you to adjust the levels of the incoming Red, Green and Blue analogue video signals.



The four push-buttons in the right hand corner of each board allow access to a menu system. These menus contain all the picture geometry, quality and resolution settings.



Dual CGA - HDMI Video Converter



Push the Menu button to access the Main Menu.

Push Up/Down to highlight.
Menu to select.

Main Menu:

- 1 Picture
- 2 Geometry
- 3 Display
- 4 Language (The only language choices are English and Chinese)
- .. Exit

Picture Menu:

- 1 Brightness
- 2 Contrast
- 3 Saturation
- 4 Sharpness
- 5 Default
- .. Return

Geometry Menu:

- 1 Horizontal Position
- 2 Vertical Position
- 3 Horizontal Size
- 4 Vertical Size
- 5 Clamp st
- 6 Clamp sp
- 7 Default
- .. Return

Display Menu:

- 1 640 x 480
- 2 800 x 600
- 3 1024 x 768
- 4 1360 x 768
- .. Return

Pushing the 'SW' button will change the input mode between RGBS, RGBHV and YpYbR.
The board will attempt to auto-detect the input signal on power-up.

Unless you are dealing with a 'difficult' input signal, the best results will be achieved with the 'Default' geometry settings and the display size set to 800 x 600. Let your monitor deal with expanding the 4:3 format output to 16:9.

Dual CGA - HDMI Video Converter

Further details for Brunswick Frameworkx

Color Overhead Monitor
Wiring Diagram
(Part No. 57-30094-000)

Acknowledgement - Brunswick

